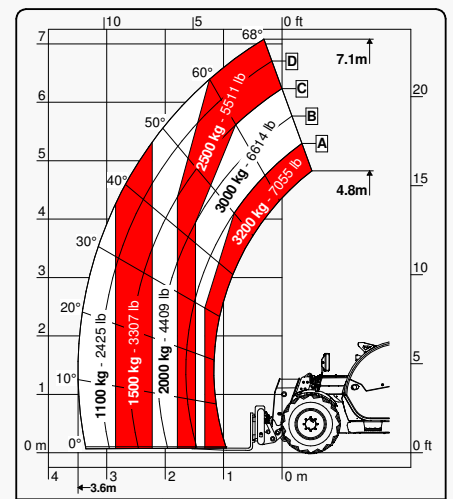
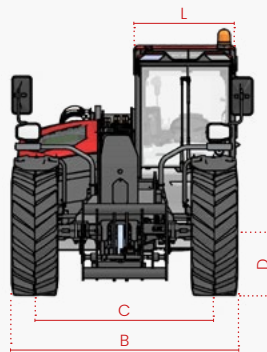
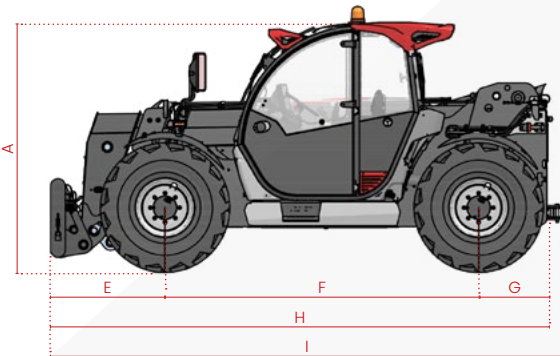


FT-7023



Faresin USA would like to bring to the attention of all potential customers, recipients, and, to the fullest extent possible, external stakeholders, that Faresin Industries S.p.A. has adopted a general disclaimer. This disclaimer pertains to the description of the technical and functional characteristics of its machinery, as well as the methods of their use, including safety considerations. This disclaimer is of a general nature, and Faresin Industries S.p.A. encourages you to review it, which can be accessed through the website: www.faresindustries.com.



FARESINUSA.COM

877-327-3746

MODELS	FT-7023	
DIMENSIONS		
[A] Height	ft	7.4
[A] LC Height (LOW CAB)	ft	6.8
[B] Width	ft	6.9
[C] Track	ft	5.5
[D] Ground clearance	ft	1.1
[E] Front overhang	ft	3.5
[F] Pitch	ft	9.7
[G] Rear overhang	ft	2.1
[H] Length without tow hook	ft	15.3
[I] Length with tow hook	ft	15.8
[L] Cab width	ft	3.2
WEIGHT		
CLASSIC 55	lbs	13,999
CLASSIC 75	lbs	14,109
DYNAMIC 85	lbs	14,109
PERFORMANCE 85	lbs	14,440
EXCELLENCE 85	lbs	14,550

MODELS	FT-7023	
DETAILS		
Number of retracting sections	nr	1
Max flow rate	lbs	7,054
Max lifting height	ft	23.2
Horizontal max outreach	ft	11.8
Outreach at max height	ft	1
Swinging angle	°	155
TANK CAPACITY		
Hydraulic oil tank	gal	23.8
Diesel tank	gal	31.7
LC Diesel tank (LOW CAB)	gal	29.1

NOTE: Dimensions defined on Dynamic version with 20" wheels

● Standard ○ Optional - Not available

INSTALLATIONS	CLASSIC 55	CLASSIC 75	DYNAMIC 85	PERFORMANCE 85	EXCELLENCE 85
TRANSMISSION					
Hydrostatic	single gear	single gear	single gear	2 mechanical gears	2 mechanical gears
Speed	mph	18.6	18.6	18.6	25
ENGINE					
Manufactured	Deutz	Deutz	Deutz	Deutz	Deutz
Power	kw/hp	55,4/75	75/102	85/115	85/115
Post-treatment system	DOC + DPF	DOC/DPF + SCR	DOC/DPF + SCR	DOC/DPF + SCR	DOC/DPF + SCR
Pulling force	daN	4.330	4.330	4.330	7.000
HYDRAULICS					
Pump type	gears	gears	gears	LS piston	LS piston
Distributor	flow sharing	flow sharing	flow sharing	flow sharing	flow sharing
Hydraulic flow-rate	gal/psi	26.4/3,625	26.4/3,625	31.7/3,625	39.6/3,625
WHEELS					
400/70 20	●	●	●	○	○
405/70 24	○	○	○	●	●
Steering radius	ft	12.5	12.5	12.5	12.5
Locking differential 100%	N/D	N/D	N/D	●	●
VARIOUS					
Joystick	electro-hydraulic proportional	electro-hydraulic proportional	electro-hydraulic proportional	electro-hydraulic proportional	CAN-BUS electro proportional
Quick coupling	○	○	○	○	●
Rear hydraulic connection	○	○	○	●	●
LED front lights	○	○	○	○	●
LED rear lights	●	●	●	●	●
LED front and rear work lights	○	○	○	●	●
Trailer lights rear socket	○	○	●	●	●
Fixed tow hook 12 t	○	○	●	●	●
Engine water preheating	○	○	○	○	○
Air conditioning	○	○	○	○	●
Ecofast Valve	N/D	N/D	N/D	●	●
Floating boom	○	○	○	○	●
Boom suspension	○	○	○	○	○
Manual 6-way diverter valve	○	○	○	○	●
BES (Boom Electric Socket)	○	○	○	○	○
Creeper	●	●	●	●	●
Constant front flow	●	●	●	●	●
Bucket mode	●	●	●	●	●
Radiator fan	proportional	proportional	proportional	proportional + inversion	proportional + inversion