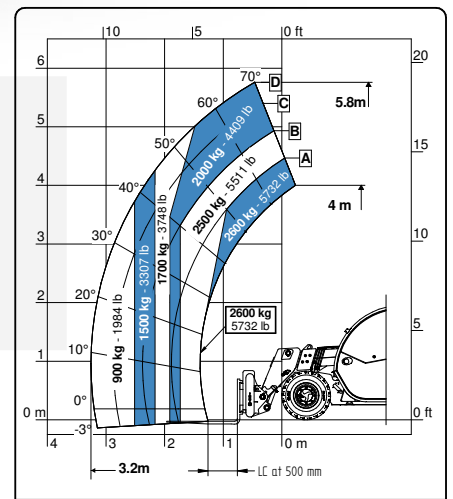
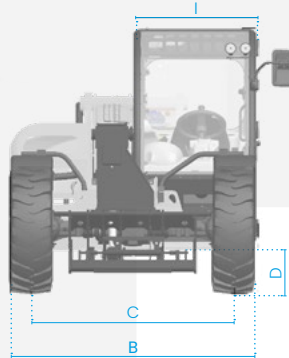
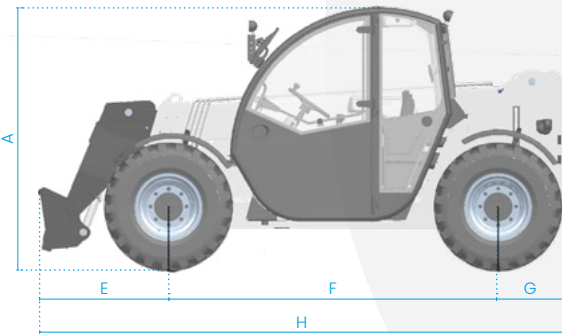


FT-5719E FULL ELECTRIC



Faresin USA would like to bring to the attention of all potential customers, recipients, and, to the fullest extent possible, external stakeholders, that Faresin Industries S.p.A. has adopted a general disclaimer. This disclaimer pertains to the description of the technical and functional characteristics of its machinery, as well as the methods of their use, including safety considerations. This disclaimer is of a general nature, and Faresin Industries S.p.A. encourages you to review it, which can be accessed through the website: www.faresinindustries.com.



FARESINUSA.COM

877-327-3746

FT-5719E FULL ELECTRIC

TECHNICAL FEATURES




MODELS		FT-5719E
DIMENSIONS		
Height	ft	6.3
Width	ft	6.2
Length	ft	13.2
Cabin width	ft	3.1
WEIGHT		
Weight	lbs	10,582
DETAILS		
Number of extracting sections	nr	1
Max capacity	lbs	5,732
Max lifting height	ft	19.4
Max horizontal boom extension	ft	10.5
Boom extension at max height	ft	1
Swinging Angle	°	155
TANK CAPACITY		
Hydraulic oil tank	gal	18.5
CONNECTION FOR EQUIPMENT		
FH		●
EURO		○
TYRES		
12-16,5		●
Turning radius	ft	10.6

NOTE: All dimensions defined on model with wheels 12-16,5

● Standard ○ Optional - Not available

CONFIGURATIONS		FULL ELECTRIC
TRANSMISSION		
Transmission		electric
Speed	mph	7.5
MOTOR		
Transmission	kW	30 (S2)
Hydraulic services	kW	18 (S3)
HYDRAULIC		
Pump type		gears pump
Hydraulic capacity	gal/psi	21.1/3,335
OTHER		
Joystick		mechanical-electro proportional
Cabin		Queen Cab
Quick coupling		○
Front and rear LED lights		○
Floating boom		○
Boom suspension		○
Manual 6-way diverter		○
PEB (Boom Electric Socket)		○
Front constant flow		○
Bucket mode		●
SPECIAL FEATURES		
Air conditioning		○
Forward buzzer avas		○
Farmatics		FULL (2-5 years)

POWER AND BATTERY CAPACITY	24 kW/h (315 Ah)	32 kW/h (420 Ah)	43 kW/h (560 Ah)
AUTONOMY STANDARD CYCLE INTENSIVE (eco mode)	UP TO 3 HOURS	UP TO 4 HOURS	UP TO 6 HOURS
AUTONOMY STANDARD CYCLE NOT INTENSIVE (eco mode)	UP TO 6 HOURS	UP TO 8 HOURS	UP TO 11 HOURS

CHARGERS			
STANDARD ON BOARD MONO PHASE CHARGER			
POWER INPUT 16 A	0-80%	10 h	13 h
POWER OUTPUT 16 A (effective) 110 VAC 80 VDC	0-100%	13 h	16 h
EXTERNAL THREE PHASES CHARGER 480V - 80A			
POWER INPUT 18 A	0-80%	3 h 10 m	4 h 30 m
POWER OUTPUT 80 A (effective) 480 VAC 80 VDC	0-100%	4 h 50 m	6 h 20 m
EXTERNAL THREE PHASES FAST CHARGER 575V - 200A			
POWER INPUT 43 A	0-80%	2 h 20 m	3 h
POWER OUTPUT 200 A (effective) 575 VAC 80 VDC	0-100%	3 h 30 m	4 h 30 m
EXTERNAL THREE PHASES FAST CHARGER 400V - 200A			
POWER INPUT 43 A	0-80%	1 h 10 m	1 h 40 m
POWER OUTPUT 200 A (effective) 480 VAC 80 VDC	0-100%	2 h	2 h 45 m