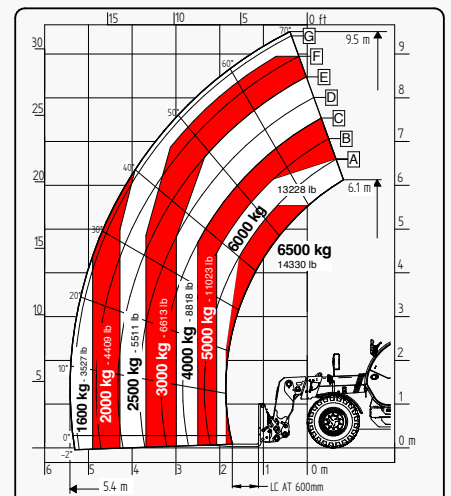
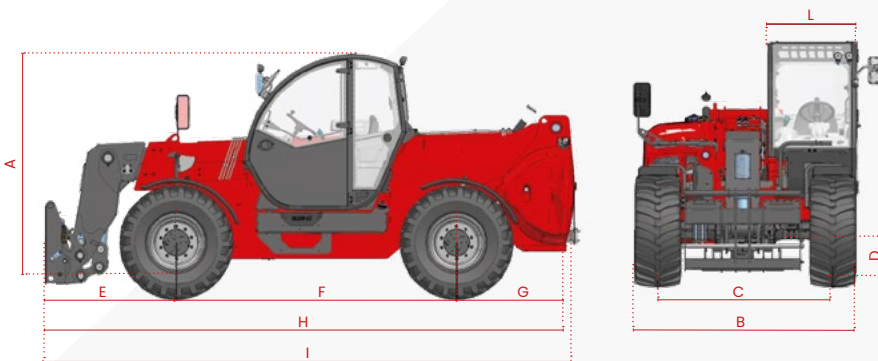


# FT-1431 HEAVY DUTY RANGE



Faresin USA would like to bring to the attention of all potential customers, recipients, and, to the fullest extent possible, external stakeholders, that Faresin Industries S.p.A. has adopted a general disclaimer. This disclaimer pertains to the description of the technical and functional characteristics of its machinery, as well as the methods of their use, including safety considerations. This disclaimer is of a general nature, and Faresin Industries S.p.A. encourages you to review it, which can be accessed through the website: [www.faresindustries.com](http://www.faresindustries.com).



**FARESINUSA.COM**

**877-327-3746**

# FT-1431 HEAVY DUTY RANGE

## TECHNICAL FEATURES

MODELS		FT-1431
<b>DIMENSIONS</b>		
[A] Height	ft	8.3
[B] Width	ft	7.6
[C] Gauge	ft	6
[D] Ground clearance	ft	1.3
[E] Front overhang	ft	5.4
[F] Pitch	ft	9.6
[G] Rear overhang	ft	4.1
[H] Length without tow hitch	ft	19.2
[I] Length with tow hitch	ft	19.4
[L] Cabin width	ft	3.1
<b>WEIGHT</b>		
Classic 74	lbs	24,361
HLS 74	lbs	24,691
VPSe 100	lbs	24,802

MODELS		FT-1431
<b>DETAILS</b>		
Number of extracting sections	nr	1
Max capacity	lbs	14,330
Max lifting height	ft	31.1
Max horizontal boom extension	ft	17.7
Boom extension at max height	ft	1.4
Swinging Angle	°	149
<b>TANK CAPACITY</b>		
Hydraulic oil tank	gal	39.6
Diesel tank	gal	31.7
<b>CONNECTION FOR EQUIPMENT</b>		
FH HEAVY		●

NOTE: All dimensions defined on model with wheels 445/65 R22,5

CONFIGURATION	CLASSIC 74	HLS 74	VPSe 100
<b>TRANSMISSION</b>			
Hydrostatic	two mechanical gears	two mechanical gears	continuous variation
Speed	mph	25	25
<b>ENGINE TIER 4 FINAL</b>			
Builder	Deutz	Deutz	Deutz
Power	kW/hp	74,4/101	100/136
Aftertreatment system	DOC + DPF + SCR	DOC + DPF + SCR	DOC + DPF + SCR
Drawbar pull	daN	8500	10400
<b>HYDRAULIC</b>			
Pump type	gears pump	LS piston pump	LS piston pump
Hydraulic capacity	gal/psi	31.7/3,335	47.6/3,625
<b>TYRES</b>			
445/65 R22,5	●	●	●
Turning radius	ft	14.8	14.8
<b>OTHER</b>			
Joystick	mechanical-electro proportional	hydraulic-electro proportional	hydraulic-electro proportional
Quick coupling	○	○	●
Electro-proportional double acting rear hydraulic connection	○	○	○
Front and rear LED lights	○	○	○
Rear trailer lights socket	○	●	●
6 t fixed tow hook	○	●	●
Engine water pre-heating	○	○	○
Air conditioning	○	○	●
Regeneration valve in ascent	-	●	●
Floating boom	○	○	○
Boom suspension	○	○	○
Manual 6-way diverter	○	○	○
PEB (Boom Electric Socket)	○	○	○
Creeper	○	●	●
Front constant flow	○	○	○
Bucket mode	●	●	●
Pneumatic / hydraulic trailer brake	○	○	○
Frame lateral levelling ±10°	●	●	●

● Standard ○ Optional - Not available