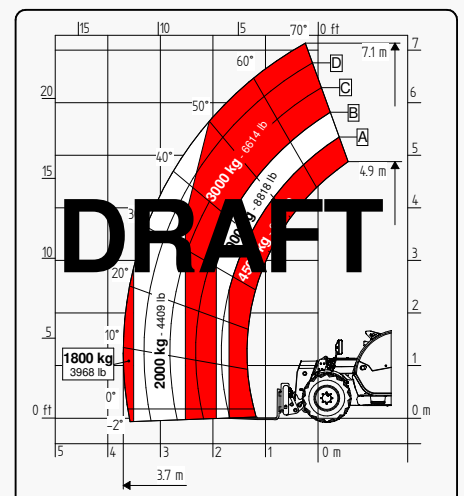
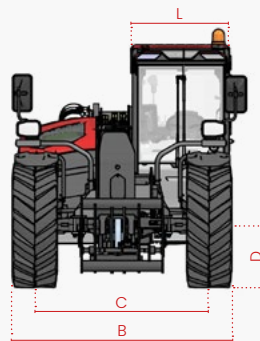
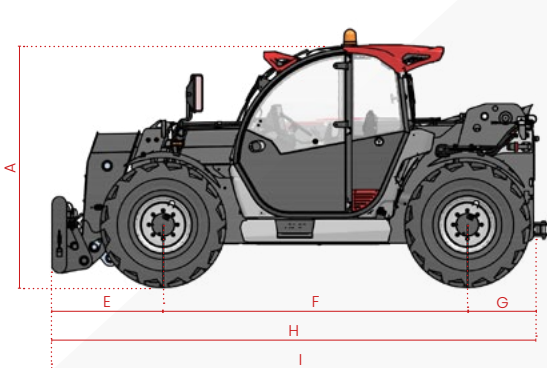


TECHNICAL SHEET  
**FT-1023**



Faresin USA would like to bring to the attention of all potential customers, recipients, and, to the fullest extent possible, external stakeholders, that Faresin Industries S.p.A. has adopted a general disclaimer. This disclaimer pertains to the description of the technical and functional characteristics of its machinery, as well as the methods of their use, including safety considerations. This disclaimer is of a general nature, and Faresin Industries S.p.A. encourages you to review it, which can be accessed through the website: [www.faresindustries.com](http://www.faresindustries.com).



**FARESINUSA.COM**

**877-327-3746**

MODELS		FT-1023
<b>DIMENSIONS</b>		
[A] Height	ft	8
[B] Width	ft	7.6
[C] Track	ft	6.1
[D] Ground clearance	ft	1.1
[E] Front overhang	ft	3.3
[F] Pitch	ft	9.7
[G] Rear overhang	ft	2.6
[H] Length without tow hook	ft	15.6
[I] Length with tow hook	ft	16.1
[L] Cab width	ft	3.1
<b>WEIGHT</b>		
CLASSIC 55	lbs	18,453
CLASSIC 75	lbs	18,673
DYNAMIC 85	lbs	18,673
PERFORMANCE 85	lbs	18,673
EXCELLENCE 85	lbs	18,783
EXCELLENCE HVTRONIC 100	lbs	-

MODELS		FT-1023
<b>DETAILS</b>		
Number of retracting sections	nr	1
Max lifting capacity	lbs	9,920
Max lifting height	ft	23.3
Horizontal max outreach	ft	11.8
Outreach at max height	ft	0.7
Swinging angle	°	144
<b>TANK CAPACITY</b>		
Hydraulic oil tank	gal	31.7
Diesel tank	gal	31.7

**NOTE: Dimensions defined on Dynamic version with 20" wheels**

● Standard    ○ Optional    - Not available

INSTALLATIONS	CLASSIC 55	CLASSIC 75	DYNAMIC 85	PERFORMANCE 85	EXCELLENCE 85	EXCELLENCE HVTRONIC 100
<b>TRANSMISSION</b>						
Hydrostatic	single gear	single gear	single gear	2 mechanical gears	2 mechanical gears	continuous variation
Speed	mph	15.5	18.6	18.6	25	25
<b>ENGINE STAGE V</b>						
Manufactured	Deutz	Deutz	Deutz	Deutz	Deutz	Deutz
Power	kW/hp	55,4/75	75/102	85/115	85/115	100/136
Post-treatment system	DOC + DPF	DOC + DPF + SCR	DOC + DPF + SCR	DOC + DPF + SCR	DOC + DPF + SCR	DOC + DPF + SCR
Pulling force	daN	5.800	5.800	5.800	6.780	10.000
<b>HYDRAULICS</b>						
Pump type	gears	gears	gears	LS piston	LS piston	LS piston
Distributor	flow sharing	flow sharing	flow sharing	flow sharing	flow sharing	flow sharing
Hydraulic flow-rate	gal/psi	26.4/3,625	26.4/3,625	31.7/3,625	39.6/3,625	44.9/3,625
<b>WHEELS</b>						
400/70 20	●	●	●	○	○	○
405/70 24	○	○	○	●	●	●
Steering radius	ft	13.1	13.1	13.1	13.6	13.6
<b>VARIOUS</b>						
Joystick	electro-hydraulic proportional	electro-hydraulic proportional	electro-hydraulic proportional	electro-hydraulic proportional	CAN-BUS electro proportional	CAN-BUS electro proportional
Quick coupling	○	○	○	○	●	●
Rear hydraulic connection	○	○	○	●	●	●
LED front lights	○	○	○	○	●	●
LED rear lights	●	●	●	●	●	●
LED front and rear work lights	○	○	○	●	●	●
Trailer lights rear socket	○	○	●	●	●	●
Fixed tow hook 12 t	○	○	●	●	●	●
Engine water preheating	○	○	○	○	○	○
Air conditioning	○	○	○	○	●	●
Ecofast Valve	N/D	N/D	N/D	●	●	●
Floating boom	○	○	○	○	●	●
Boom suspension	○	○	○	○	○	○
Manual 6-way diverter valve	○	○	○	○	●	●
BES (Boom Electric Socket)	○	○	○	○	○	○
Creeper	●	●	●	●	●	●
Constant front flow	●	●	●	●	●	●
Bucket mode	●	●	●	●	●	●
Radiator fan	proportional non-reversible	proportional non-reversible	proportional non-reversible	proportional reversible	proportional reversible	proportional reversible